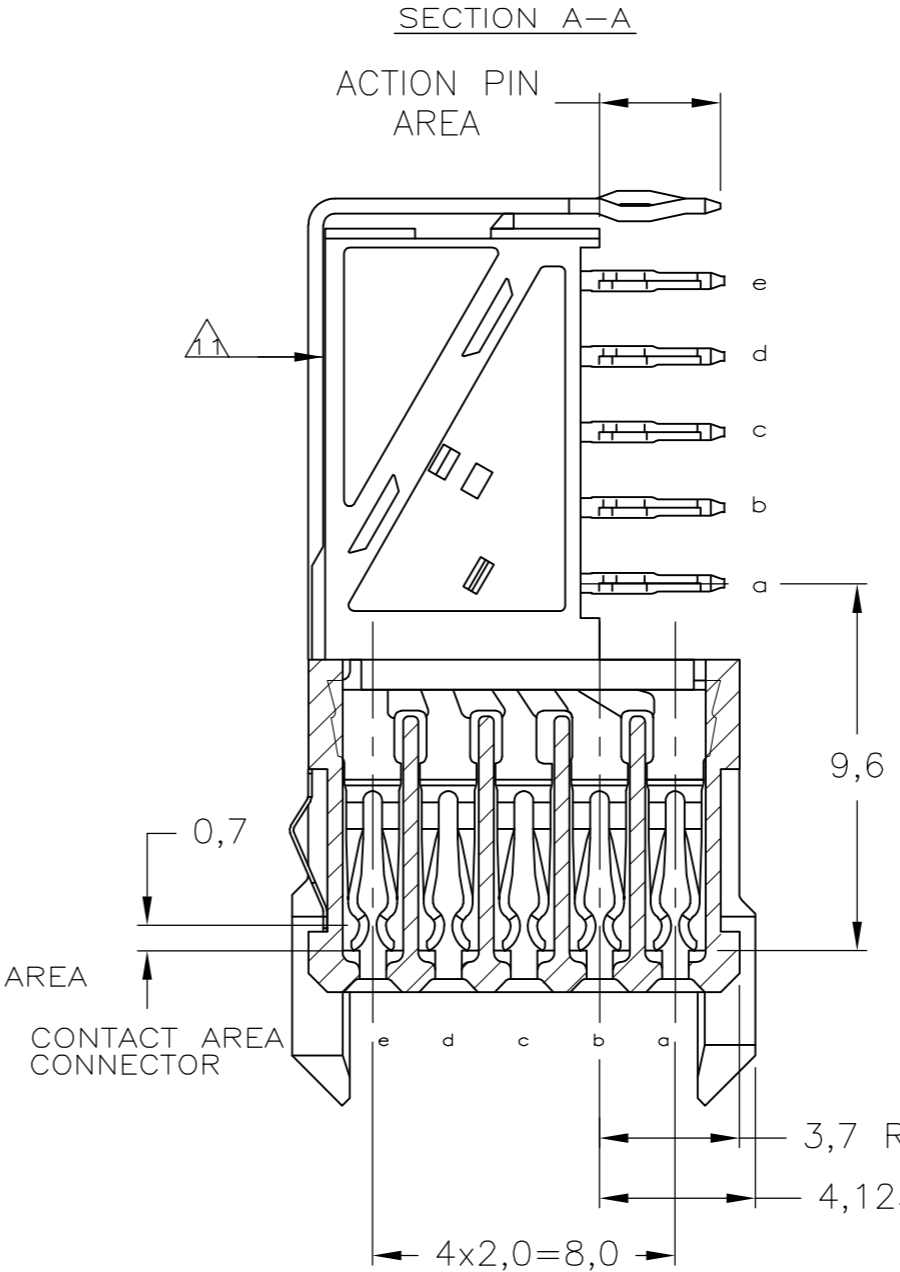
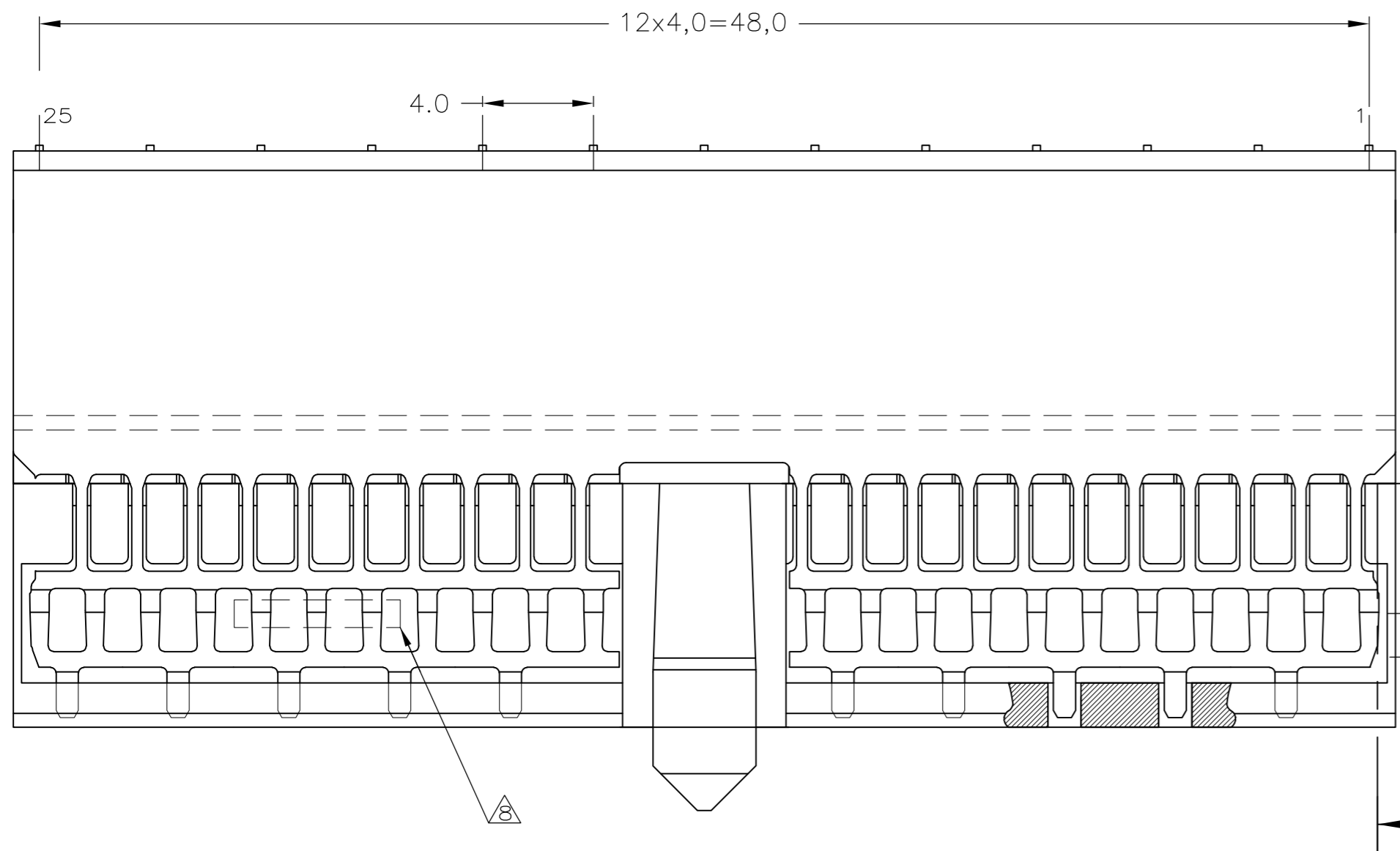
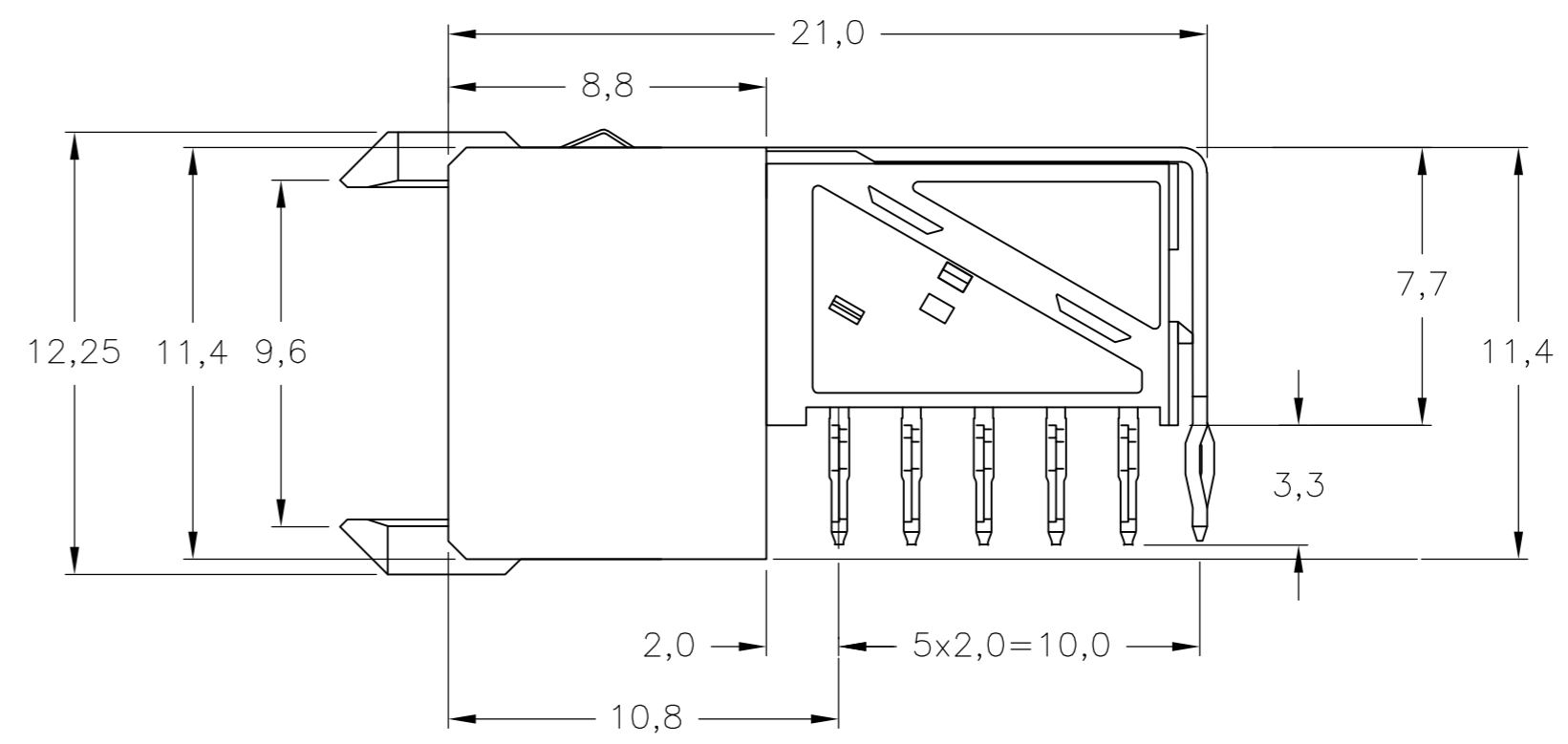
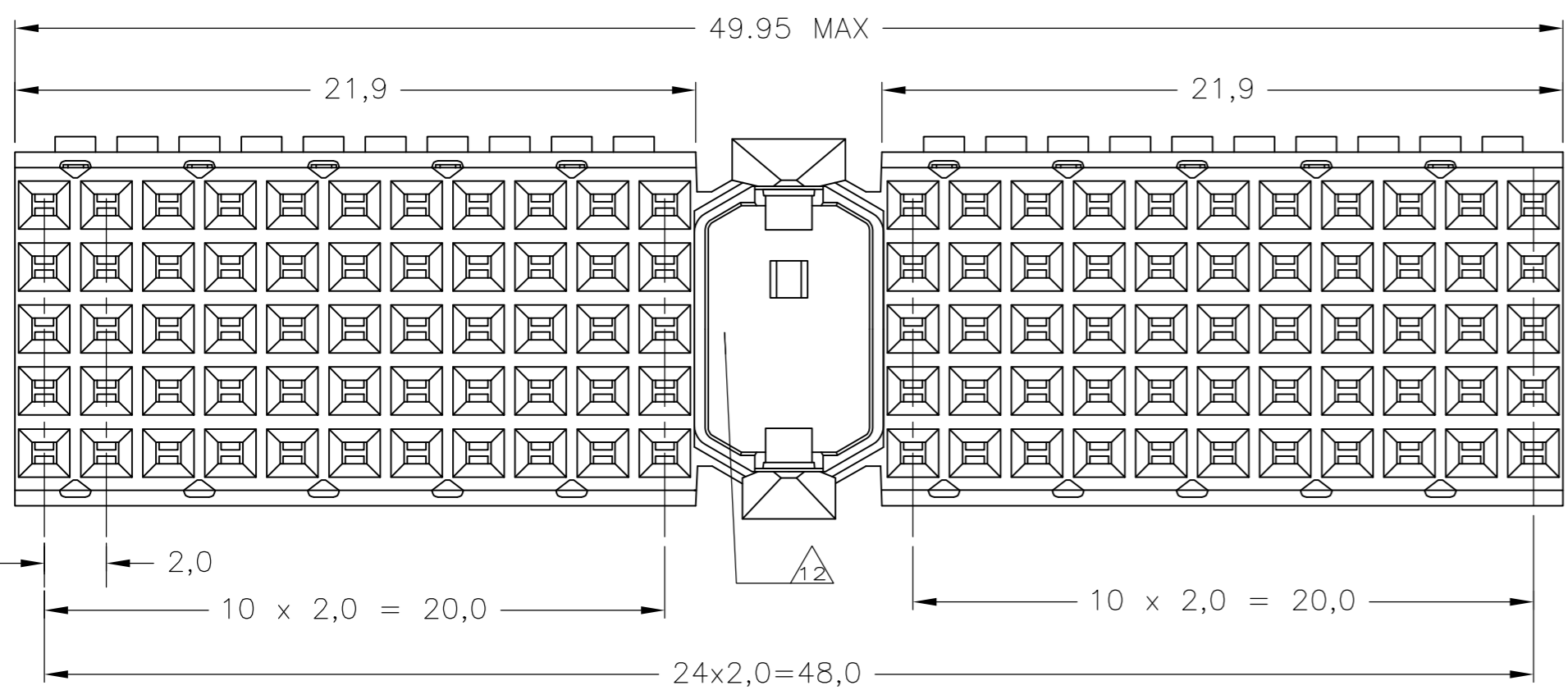


THIS DRAWING IS UNPUBLISHED. RELEASED FOR PUBLICATION
 © COPYRIGHT - By - ALL RIGHTS RESERVED.

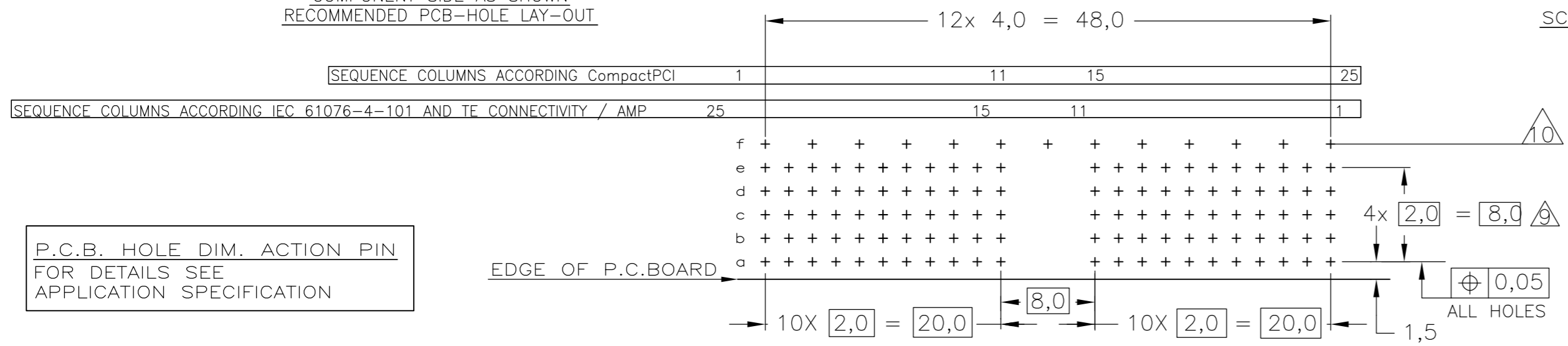
LOC		DIST		REVISIONS			
P	LTR	DESCRIPTION		DATE	DWN	APVD	
H	-	F	REVISED PER ECO-13-014710	08NOV2013	SY	FY	



- NOTES:
- △ MATERIAL CONTACTS; PHOSPHORBRONZE
 - △ MATERIAL HOUSING; GLASSFILLED POLYESTER (GRAY)
 - △ GENERAL PLATING SPECIFICATION: UNDERPLATING (ENTIRE CONTACT): 1,27µm NICKEL MIN. AND ACTION PIN: 0,5µm TIN MIN. FOR PLATING OF MATING SURFACES SEE APPLICABLE SPECIFICATION REFERENCE FOR EACH DASH NUMBER.
 - △ CONFORMS TO ALL TESTING ACCORDING IEC 61076-4-101 PERFORMANCE LEVEL 2.
 - △ CONFORMS TO ALL TESTING ACCORDING IEC 61076-4-101 PERFORMANCE LEVEL 1.
 - △ CONNECTOR TESTED AND QUALIFIED AGAINST TELCORDIA GR-1217-CORE QUALITY LEVEL III, CENTRAL OFFICE APPLICATIONS. CONNECTOR LUBRICATED WITH TELCORDIAGR-1217-CORE APPROVED LUBRICANT.
 - △ ASSEMBLY PRINTED WITH P/N AND DATECODE
 - △ THE MARKING CAN APPEAR ON THE FRONT SIDE OR BACK SIDE.
 - △ HOLE PATTERN FOR FEMALE CONNECTOR TYPE A
 - △ 110 PLATED-THROUGH HOLES AT 2x2mm SQUARE GRID
 - △ ROW "f" 13 PLATED THROUGH HOLES FOR UPPERSHIELD
 - △ SHIELD MOUNTED ON CONNECTOR WITH DOUBLE SIDED ADHESIVE TAPE OR ADHESIVE
 - △ AREA RESERVED FOR KEYING PART (BASIC P.N. 100526)
 - △ 13 BASIC P.N. LOWERSHIELD: 5338108
 - △ 0,76µm MIN GOLD PLATING AT MATING SURFACE



COMPONENT SIDE AS SHOWN
 RECOMMENDED PCB-HOLE LAY-OUT



SCALE 2,5:1

FINISH	MATERIAL	PART NUMBER
△△△	△	3-5352068-0
△△△	△	5352068-9
△△	△	5352068-4
△△	△	5352068-1

THIS DRAWING IS A CONTROLLED DOCUMENT.		DWN K.N.KIRAN 18AUG2004		
DIMENSIONS: mm		CHK B.MOOIJ 24SEP2004		
TOLERANCES UNLESS OTHERWISE SPECIFIED: ±0.2		APVD B.MOOIJ 24SEP2004		
MATERIAL		NAME		
0-PLC ± 1-PLC ± 2-PLC ± 3-PLC ± 4-PLC ± ANGLES ± FINISH ±		PRODUCT SPEC 108-19082 APPLICATION SPEC 114-19029 WEIGHT -	Z-PACK 2mm HM TYPE A - 25 COLUMNS PRE-SHIELDED RECEPTACLE	
SIZE		CAGE CODE	DRAWING NO	RESTRICTED TO
A2		00779	C=5352068	-
CUSTOMER DRAWING		SCALE 5:1	SHEET 1 of 1	REV F